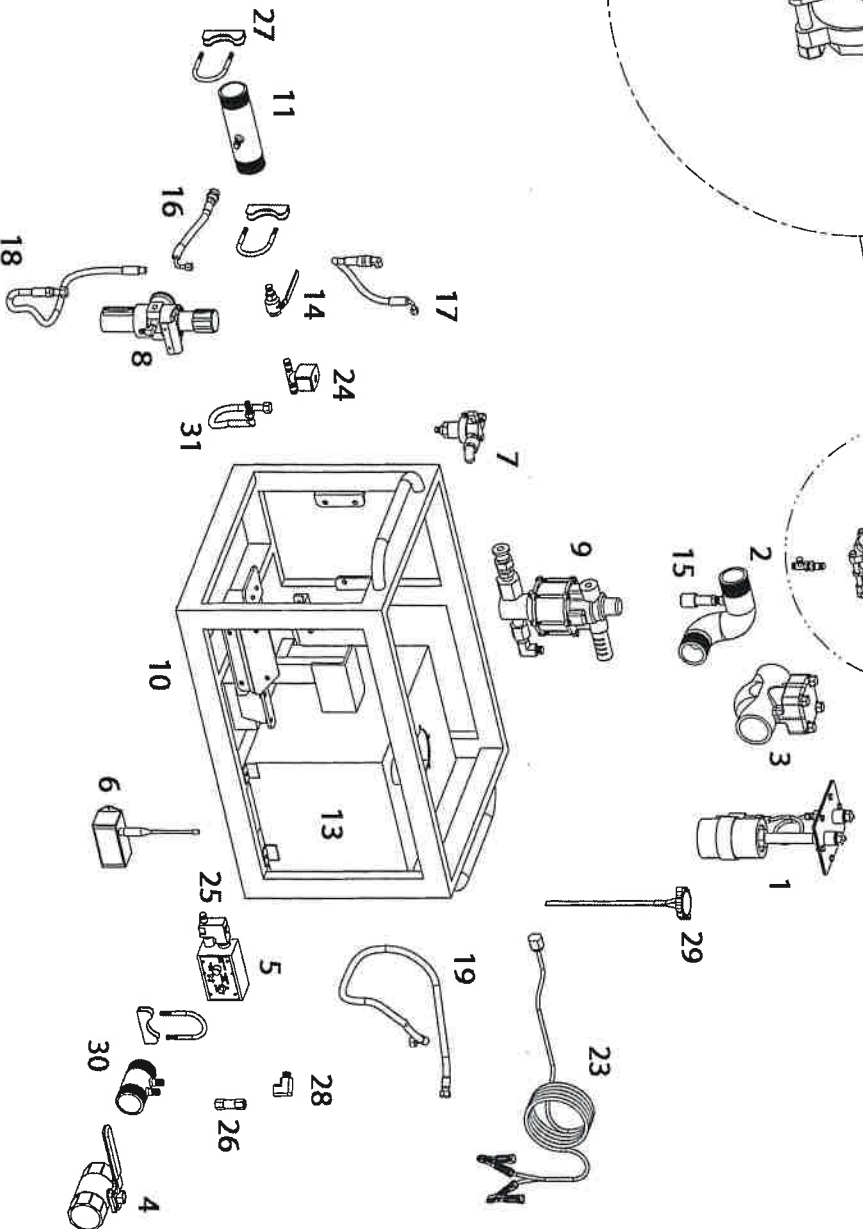
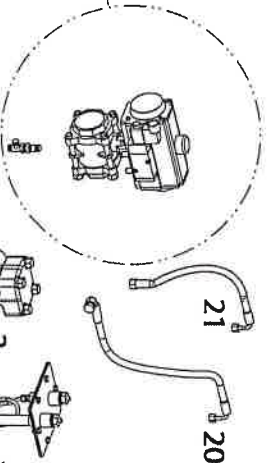
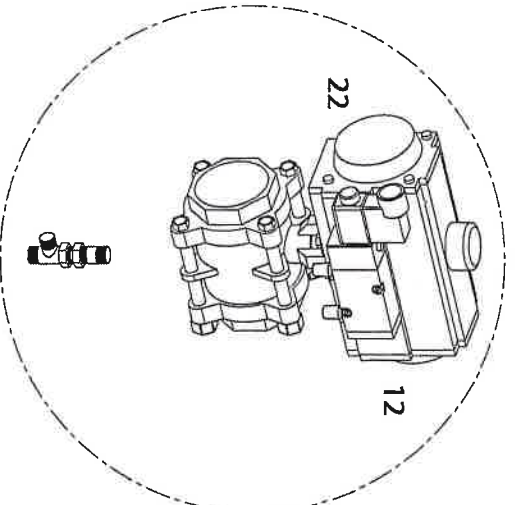


SUPPORT PACK



NO:	PART NO.	DESCRIPTION	QTY
1	PISP060	OILER PUMP	1
2	PISP061	WELDED 90	1
3	PISP062	2" CHECK VALVE	1
4	PISP064	2" BALL VALVE	1
5	PISP066	OILER CONTROL	1
6	PISP068	RECEIVER	1
7	PISP069	REGULATOR	1
8	PISP070	SECONDARY AIR REGULATOR	1
9	PISP071	WATER PUMP	1
10	PISP072	SUPPORT PACK FRAME	1
11	PISP074	AIR SUPPORT TUBE (2" X 8")	1
12	PISP075	2" AUTOMATIC SS AIR VALVE	1
13	PISP076	SUPPORT PACK OIL TANK	1
14	PISP077	1/4" BALL VALVE	1
15	PISP083	PRESSURE RELEASE VALVE (POP OFF VLV)	1
16	PISP084	AIR SUPPORT TUBE TO REGULATOR	1
17	PISP085	2" AUTOMATIC SS AIR VALVE TO WATER PUMP SOLENOID VALVE	1
18	PISP086	SECONDARY AIR REGULATOR TO 2" AUTOMATIC SS AIR VALVE	1
19	PISP087	WATER PUMP TO AIR/FLUID OUTLET TUBE	1
20	PISP088	OILER CONTROLLER TO OIL TANK	1
21	PISP089	OILER TANK TO AIR/FLUID OUTLET TUBE	1
22	PISP090	AIR VALVE SOLENOID	1
23	PISP093	POWER CORD	1
24	PISP098	WATER PUMP SOLENOID VALVE	1
25	PISP102	OILER SOLENOID (12V MAC VALVE)	1
26	PISP104	1/4" X 3" CHECK VALVE	1
27	PISP107	U BOLTS WITH SADDLES	3
28	PISP108	BRASS HOSE ADAPTER	1
29	PISP110	OIL CAP	1
30	PISP119	AIR/FLUID OUTLET TUBE (2" X 4") VENTURI TUBE	1
31	PISP120	REGULATOR TO SECONDARY AIR REGULATOR	1