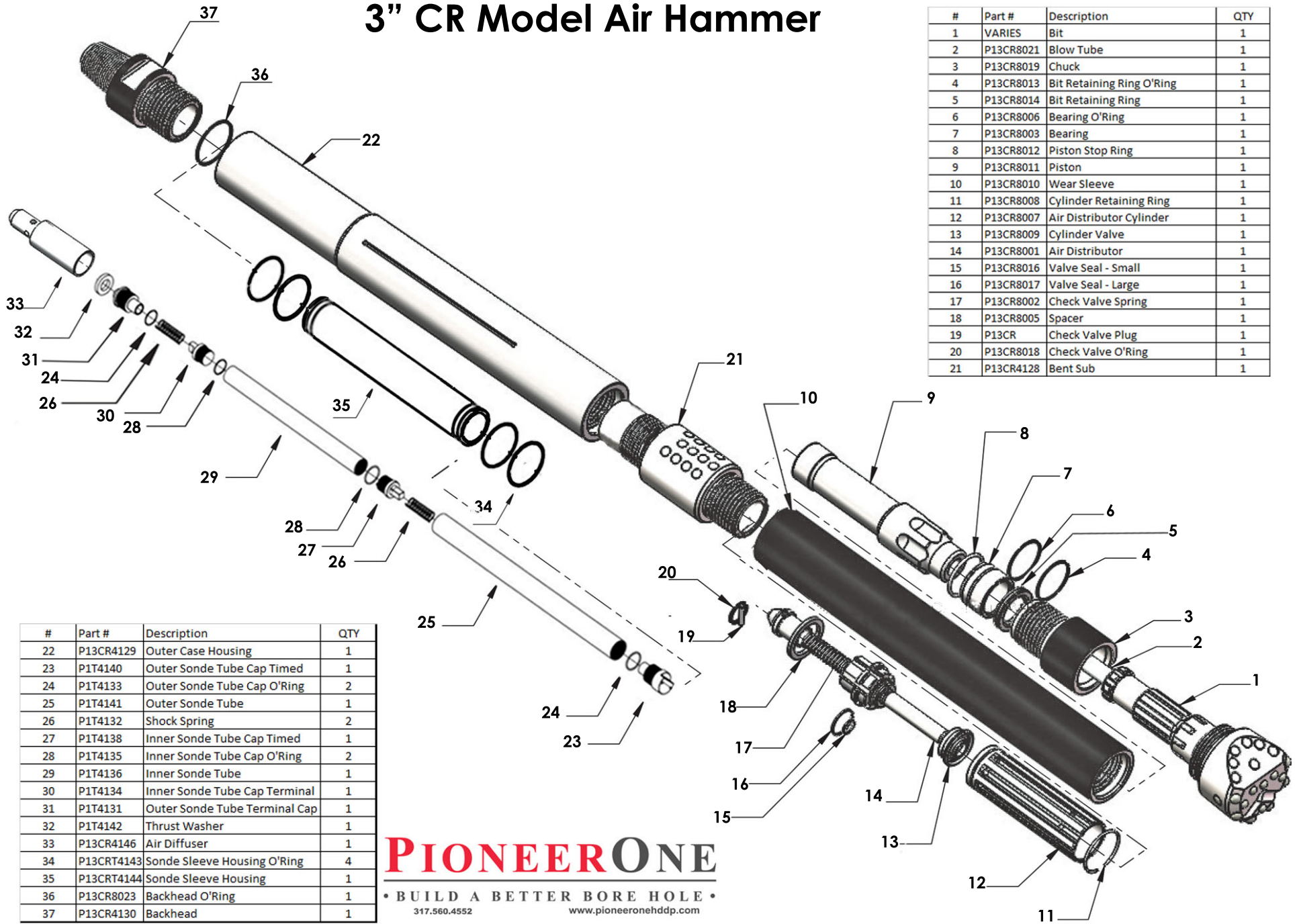


3" CR Model Air Hammer



#	Part #	Description	QTY
1	VARIES	Bit	1
2	P13CR8021	Blow Tube	1
3	P13CR8019	Chuck	1
4	P13CR8013	Bit Retaining Ring O'Ring	1
5	P13CR8014	Bit Retaining Ring	1
6	P13CR8006	Bearing O'Ring	1
7	P13CR8003	Bearing	1
8	P13CR8012	Piston Stop Ring	1
9	P13CR8011	Piston	1
10	P13CR8010	Wear Sleeve	1
11	P13CR8008	Cylinder Retaining Ring	1
12	P13CR8007	Air Distributor Cylinder	1
13	P13CR8009	Cylinder Valve	1
14	P13CR8001	Air Distributor	1
15	P13CR8016	Valve Seal - Small	1
16	P13CR8017	Valve Seal - Large	1
17	P13CR8002	Check Valve Spring	1
18	P13CR8005	Spacer	1
19	P13CR	Check Valve Plug	1
20	P13CR8018	Check Valve O'Ring	1
21	P13CR4128	Bent Sub	1

#	Part #	Description	QTY
22	P13CR4129	Outer Case Housing	1
23	P1T4140	Outer Sonde Tube Cap Timed	1
24	P1T4133	Outer Sonde Tube Cap O'Ring	2
25	P1T4141	Outer Sonde Tube	1
26	P1T4132	Shock Spring	2
27	P1T4138	Inner Sonde Tube Cap Timed	1
28	P1T4135	Inner Sonde Tube Cap O'Ring	2
29	P1T4136	Inner Sonde Tube	1
30	P1T4134	Inner Sonde Tube Cap Terminal	1
31	P1T4131	Outer Sonde Tube Terminal Cap	1
32	P1T4142	Thrust Washer	1
33	P13CR4146	Air Diffuser	1
34	P13CRT4143	Sonde Sleeve Housing O'Ring	4
35	P13CRT4144	Sonde Sleeve Housing	1
36	P13CR8023	Backhead O'Ring	1
37	P13CR4130	Backhead	1

PIONEER ONE

• BUILD A BETTER BORE HOLE •

317.560.4552

www.pioneeronehddp.com